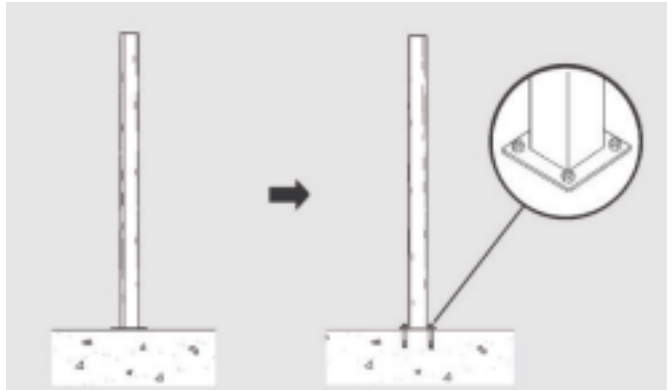


- Steel Inner Post - Power Drill or Driver - Composite Post Sleeve - Protective Goggles - Bottom Cap
- Top Cap
- 4 Expansion Screws
- Outdoor Adhesive

END POST INSTALLATION GUIDE

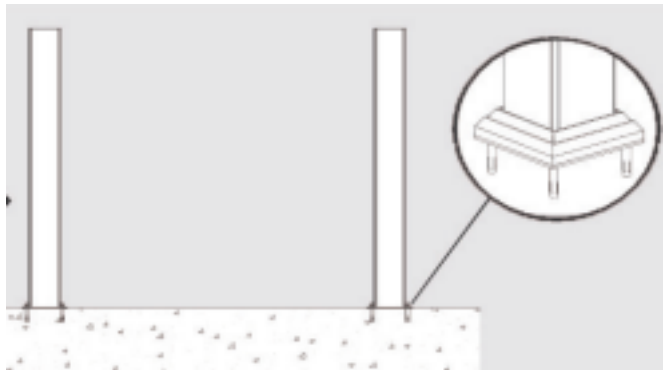
STEP 1.

Secure your steel end post in place using the screws provided. If you are fitting your balustrades on your decking, we would recommend pre-drilling the holes in your decking boards.



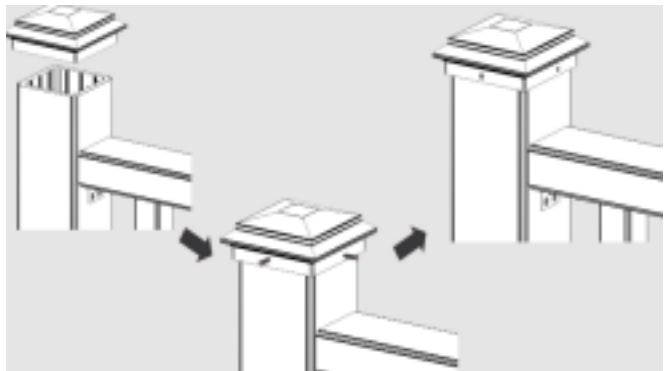
STEP 2.

Once the steel end post is secured, place the composite sleeve on top and ensure that it is level to the ground or decking.



STEP 3.

Slide the bottom cap down the end post to cover any visible screws and provide a seamless finish.



STEP 4.

Place the top cap on the composite end post. To secure in place you can either drill the cap to the post or use outdoor adhesive.

EQUIPMENT:

RAILING KIT INSTALLATION GUIDE

STEP 1.

Measure your bottom rail for the placement of your 2 railing supports. Secure the black connectors into place using the screws provided and then slot the supports on top.

STEP 2.

Secure the bottom rail to your end post using the L brackets provided.

STEP 3.

For the spindles, measure the placement along the bottom rail and secure the black connectors into place.

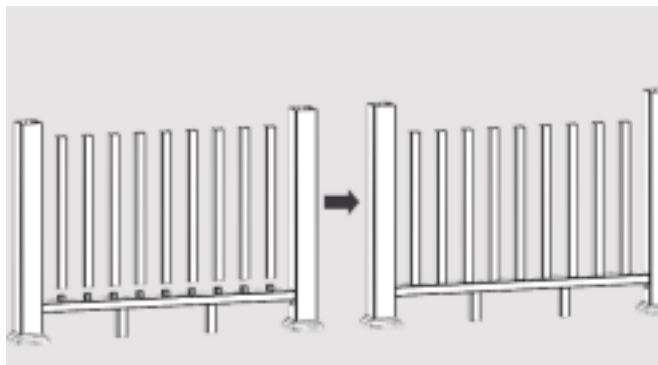
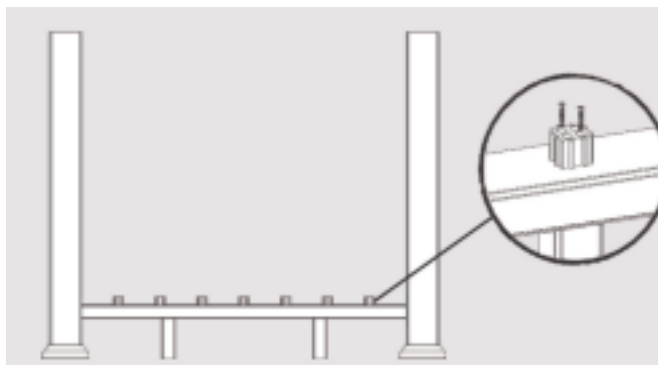
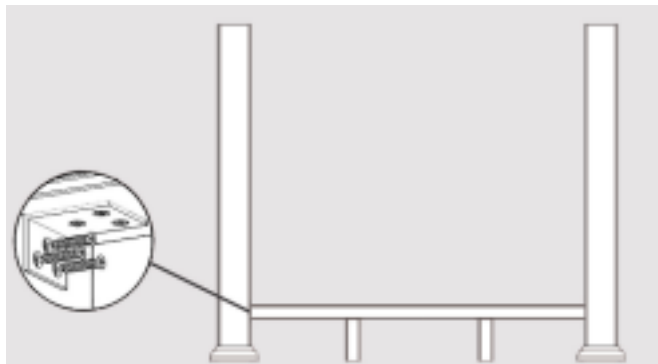
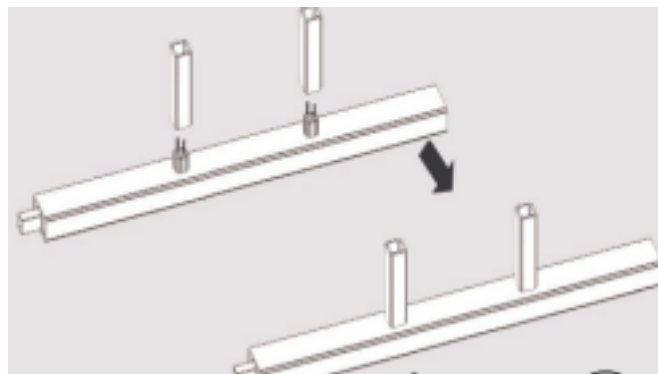
STEP 4.

Once the connectors are secured, slot the spindles into place.

RAILING KIT

EQUIPMENT:

- 9 Spindles - Power Drill or Driver - 1 Handrail - Protective Goggles - 1 Bottom Rail
- 2 Railing Supports
- 4 L Brackets
- Screws



INSTALLATION GUIDE

STEP 5.

Repeat step 3 for the handrail, ensuring the placement for the connectors is the same measurements as the bottom rail.

STEP 6.

Then slot the handrail on top of the spindles, ensuring the connectors fit securely into place.

STEP 7.

Secure the handrail to the end post using the L brackets provided.

